

Department of Engineering
Tim Bryan, P.E., County Engineer

3137 South Liberty Street, Canton, MS 39046
Office (601) 790-2525 FAX (601) 859-3430

MEMORANDUM

September 1, 2021

To: Sheila Jones, Supervisor, District I
Trey Baxter, Supervisor, District II
Gerald Steen, Supervisor, District III
Karl Banks, Supervisor, District IV
Paul Griffin, Supervisor, District V

From: Tim Bryan, P.E., PTOE
County Engineer

Re: Telepak Networks Inc. DBA Cspire Utility Permit
County Road Name, Catlett Road on Cornerstone Drive

The Engineering Department recommends approval of permit application for Cspire proposes all fiber will be place by method of directional bore at 42' depth unless otherwise noted. The purpose is placing fiber in the Cornerstone S/D area to provide high speed internet service to homes within the area and Cornerstone Drive.

SHEILA JONES
District One

TREY BAXTER
District Two

GERALD STEEN
District Three

KARL BANKS
District Four

PAUL GRIFFIN
District Five

Revised: 2/14/2019



PERMIT APPLICATION FOR THE CONSTRUCTION OR ADJUSTMENT OF A UTILITY WITHIN COUNTY ROAD RIGHT-OF-WAY

Utility Information: Utility Name: Telepak Networks / D.B.A Cspire

Address: 1018 Highland Colony PKWY Suite 400 City/State/Zip: Ridgeland, MS 39157

Contact Person: Brett Boling Contact's Phone: 601-624-4578

Project Information: County Road Name: Catlett Road

(If located within more than one road/right-of-way, use Appendix 1 for additional descriptions)

Beginning Location: 32°32'1.42"N 90° 8'3.81"W Ending Location: 32°31'31.29"N 90° 7'54.86"W

Length of Project: 3,467 Section: 19 Township: 8N Range: 2E

Description of Work: All fiber will be placed by method of directional bore at 42' depth unless otherwise noted.

Purpose is placing fiber in the Cornerston S/D area to provide high speed internet service to homes within the area. Please see attached drawing for more details.

Check Box if Appendix 1 is to be included as a part of this Application

Whereas the above stated Utility makes application to the **Madison County Board of Supervisors** for a Construction Permit. Attached hereto are drawings and plans for the construction of the above facilities located within Madison County owned public rights-of-way. Once stamped by the Madison County Engineering Department, these plans shall not be changed or altered without written approval of the County Engineer, or his representative. A copy of the approved permit and plans shall be on-site at all times during construction.

The Applicant Utility shall comply with all policies, procedures and construction practices as outlined in *A Policy for The Accommodation of Utility Facilities within the Right-of-Way of all Public County Roads* (hereinafter referred to as the "Policy"), as adopted on November 1, 2005, by the **Madison County Board of Supervisors**, and which is hereby made a part of this Application Agreement.

If facilities are to be located within the Rights-of-Way of the County-Federal or State Aid System, Applicant Utility also agrees to comply with applicable provisions of *S.O.P. No. SA II-2-8, Accommodation of Utilities on Rights-of-Way*, issued by the State Aid Engineer and dated July 1, 2005.

The Applicant Utility understands and agrees that, except as herein granted, no right, title, claim, or easement to said road right-of-way is granted by the issuance of this permit. If this Utility is listed in the general provisions of the Policy, it will be adjusted to comply with same without cost to the County, unless the variance from the Policy has been approved by the granting of the Permit pursuant to this Application.

The Applicant Utility further understands that the Utility's engineering, plant, or other personnel will be responsible for the staking and construction supervision of the work set out above and as shown on the attached plans. If work impacts traffic in any way, the appropriate traffic control shall be installed per the *Manual of Uniform Traffic Control Devices*, Latest Edition.

The Applicant Utility understands that the County Engineer, or his representative, may issue a Stop Work Order at any time if it is deemed that site conditions are not suitable for construction or if any of the requirements of this permit are not being met.

Many County Roads have variable Rights-of-Way and/or no Right-of-Way at all and are maintained under a Prescriptive Easement. It is the sole responsibility of the Applicant Utility to verify the existence and limits of public rights-of-way. If none exists, it is the

responsibility of the Applicant Utility to acquire an easement for their Facilities from the applicable property owner(s). Madison County in no way verifies the limits of Right-of-Way as shown on the permit application.

The Applicant Utility shall be responsible for all future maintenance and repair of the facilities installed under this permit. The Applicant Utility shall make future adjustments to, or relocate, the facilities located within road or highway right-of-way when required for road or highway widening or other road or highway construction at no cost to Madison County. The Applicant Utility shall relocate said utilities within sixty (60) days of notification by County by registered mail, return receipt requested, unless otherwise designated by the County Engineer. Further, any maintenance, repair, or construction shall be done in such a manner as to occasion no unreasonable interference with the normal flow and safety to traffic and at the expense of the utility company. When reasonable care has been taken to locate said utility facilities within the right-of-way, the Applicant Utility understands that any damages caused by routine maintenance and construction by County forces shall be borne by the Applicant Utility.

The Applicant Utility further agrees to indemnify and hold Madison County harmless for any and all claims, accidents, damages, liabilities and expenses occasioned wholly, or in part, by any act or omission of applicant, its agents or employees. In case County shall, without fault on its own part, be made a party to any litigation commenced by or against applicant, then applicant shall protect and hold County harmless, and shall pay all costs, expenses and reasonable attorney's fees incurred or paid by County in connection with said litigation.

All underground facilities shall be installed at a depth equal to or greater than 48" below the lowest adjacent grade.

All pipes carrying liquid shall be encased under County maintained roads.

WITNESS the signature of the Applicant this the 19 day of April, 2021.

By: [Signature]
(Applicant Signature)

Title: CSpire OSP EITH Engineer

Note: Applicant must be an employee of the Utility named in this application. The Madison County Board of Supervisors will not recognize a Contractor, Subcontractor, Agent, or Consulting Engineer as the Applicant. Utility Company shall be fully responsible for all work performed under this application.

I, or my authorized representative, have reviewed this application and determined that the drawing, sketches, and plans submitted by the Applicant meet the requirements of A Policy for The Accommodation of Utility Facilities within the Right-of-Way of all Public County Roads.

APPROVED
By timothy.bryan at 11:23 am, Sep 01, 2021

Tim Bryan, P.E.
County Engineer

AGREED TO AND APPROVED BY:

Madison County Board President

Date: _____

ENTERED INTO THE MINUTES OF THE BOARD OF SUPERVISORS OF MADISON COUNTY, MISSISSIPPI ON THIS _____ DAY OF _____, 20____.

Appendix 1

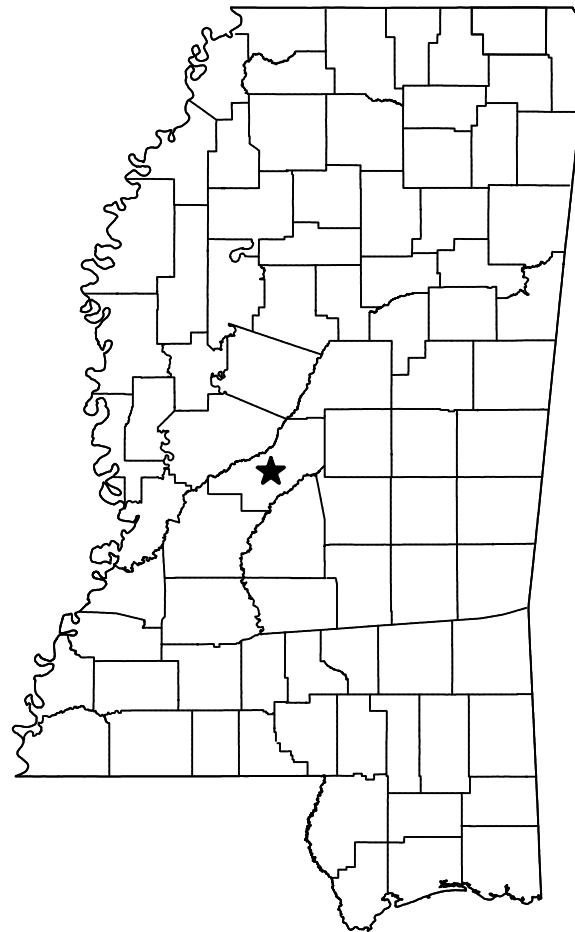
County Road Name: Cornerstone Dr
Beginning Location: 32°31'49.61"N 90° 7'54.63"W Ending Location: 32°31'49.08"N 90° 7'26.29"W
Length of Project: 2,471 Section: 19 Township: 8N Range: 2E
Description of Work: All fiber will be place by method of directional bore at 42' depth unless otherwise noted.
Purpose is placing fiber in the Cornerstone S/D to provide high speed
internet service to homes within the area. Please see attached drawing for more details.

County Road Name: _____
Beginning Location: _____ Ending Location: _____
Length of Project: _____ Section: _____ Township: _____ Range: _____
Description of Work: _____

County Road Name: _____
Beginning Location: _____ Ending Location: _____
Length of Project: _____ Section: _____ Township: _____ Range: _____
Description of Work: _____

County Road Name: _____
Beginning Location: _____ Ending Location: _____
Length of Project: _____ Section: _____ Township: _____ Range: _____
Description of Work: _____

County Road Name: _____
Beginning Location: _____ Ending Location: _____
Length of Project: _____ Section: _____ Township: _____ Range: _____
Description of Work: _____

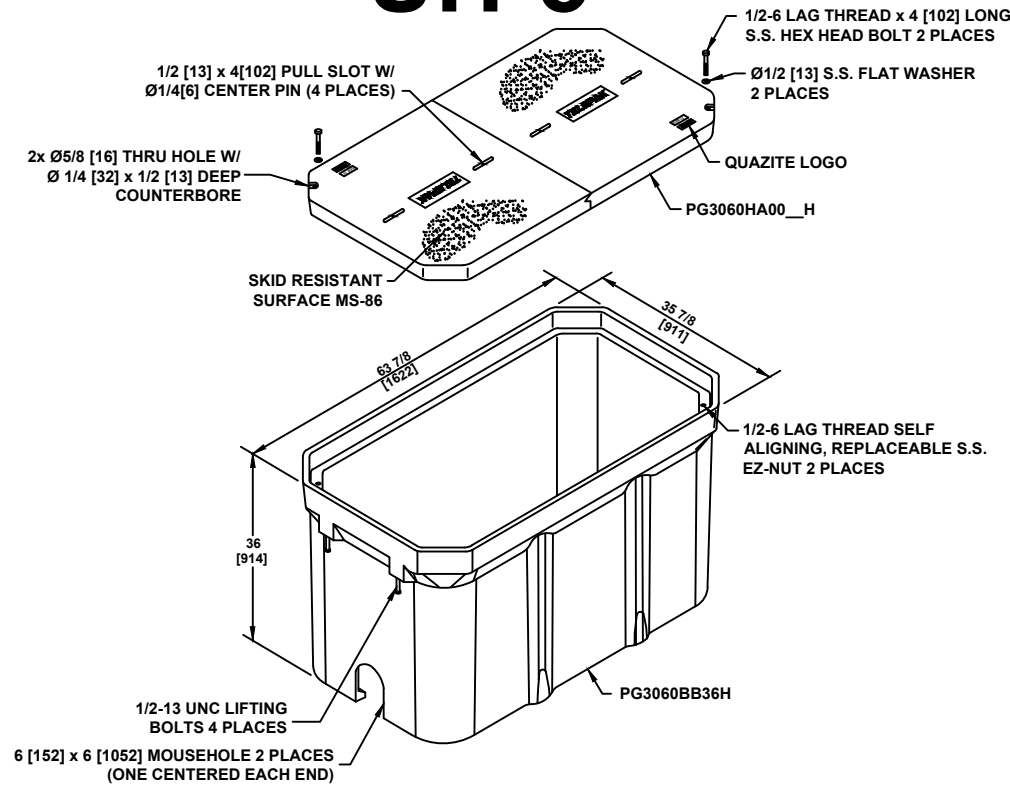


<< PERMITS >>	
CITY :	N/A
COUNTY :	YES
MDOT :	N/A
FEDERAL :	N/A
RAILROAD :	N/A
PRIVATE R/W :	N/A
MISC :	N/A

PROPOSED FTTH
CORNERSTONE OF MADISON COUNTY
CITY OF MADISON
MADISON COUNTY, MISSISSIPPI
04/14/21

PREPARED BY
SQUANTM
3177 STERLINGTON RD.
MONROE, LA 71203
318-388-2717

UH-5



1. THIS ASSEMBLY IS RATED FOR A STATIC DESIGN LOAD OF 15,000 LBS. [66,720 N] OVER A 10 [254] X 10 [254] AREA AND MUST PASS A MIN. STATIC TEST LOAD OF 22,500 LBS. [100,085 N].
2. ALL ENCLOSURES, BOXES AND COVERS, ARE REQUIRED TO CONFORM TO ALL TEST PROVISIONS OF ANSISCTE 77 2007 "SPECIFICATION FOR UNDERGROUND ENCLOSURE INTEGRITY" AS MANUFACTURED BY QUAZITE OR EQUIVALENT WITH TELEPAK NETWORK'S ENGINEER'S SIGNED APPROVAL. THE COVERS MUST BE RATED FOR TIER 15 APPLICATIONS AND BOXES RATED FOR TIER 22 APPLICATIONS AND IN NO ASSEMBLY CAN THE COVER DESIGN LOAD EXCEED THE DESIGN LOAD OF THE BOX. ALL COMPONENTS IN AN ASSEMBLY (BOX & COVER) ARE MANUFACTURED USING MATCHED SURFACE TOOLING. ALL COVERS ARE REQUIRED TO HAVE A MINIMUM COEFFICIENT OF FRICTION OF 0.50 IN ACCORDANCE WITH ASTM C 1028 AND HAVE TIER 15 AND "TELEPAK NETWORKS 800-342-3716" EMBOSSED ON THE TOP SURFACE. ALL COVER BOLTS TO BE SELF-CLEANING AUGER BOLT ASSEMBLIES.

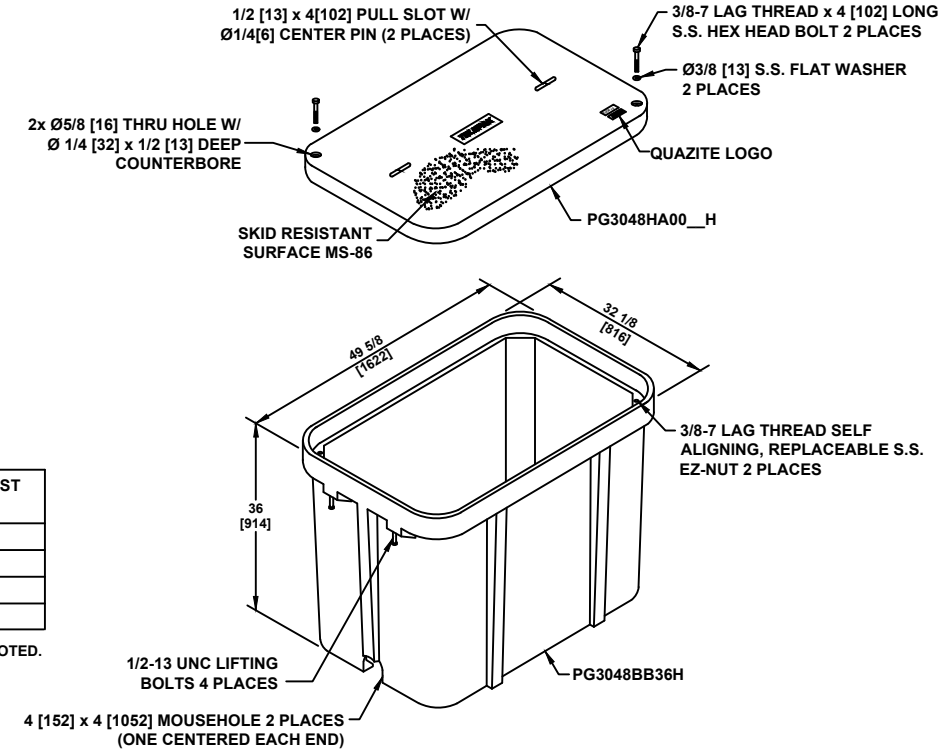
PIGTAILS ARE TO BE INSTALLED AT TEST STATION (T.S.) ONLY.
HANDHOLES ARE TO BE INSTALLED A MINIMUM OF THREE FEET FROM ANY UTILITY OR POWER POLE.

BOXES (Nestable)

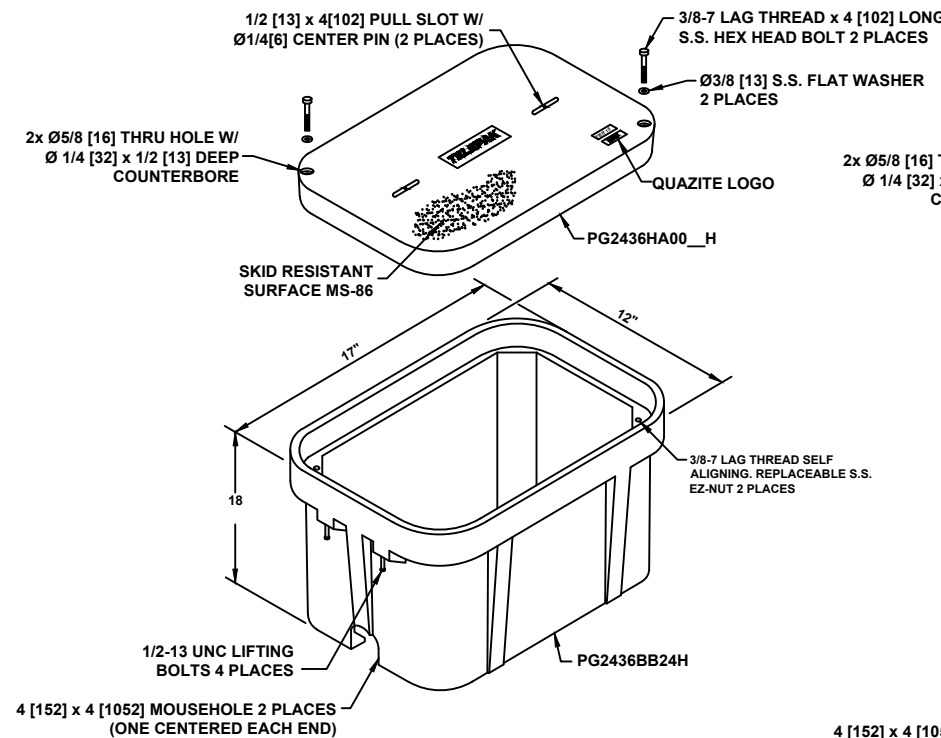
DESCRIPTION	PART NO.	WEIGHT	DESIGN/TEST LOAD#
UH-5 30x60x36	PG3060Z501	933# 423KG.	15'000 LBS
UH-4 30x48x36	PG3048Z579	563# 255KG.	15'000 LBS
UH-3 24x36x24	PG2436Z905	284# 129KG.	15'000 LBS
UH-2 11x17x18	PG2436Z905	284# 129KG.	15'000 LBS

DIMENSIONS ARE IN INCHES OR MILLIMETERS IN BRACKETS UNLESS OTHERWISE NOTED.

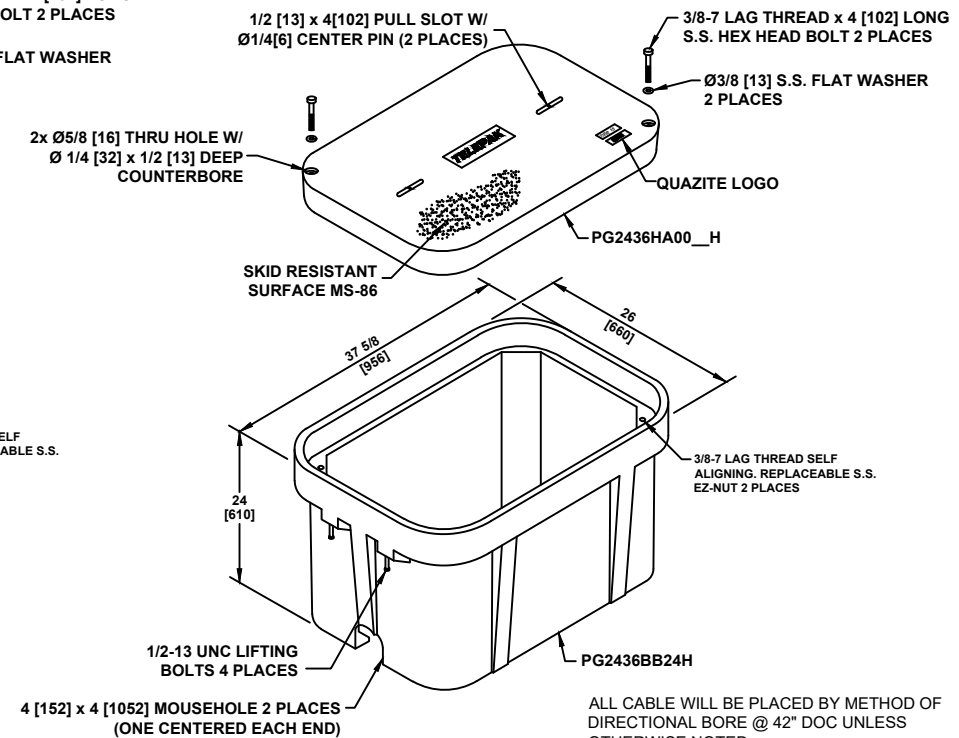
UH-4



UH-2

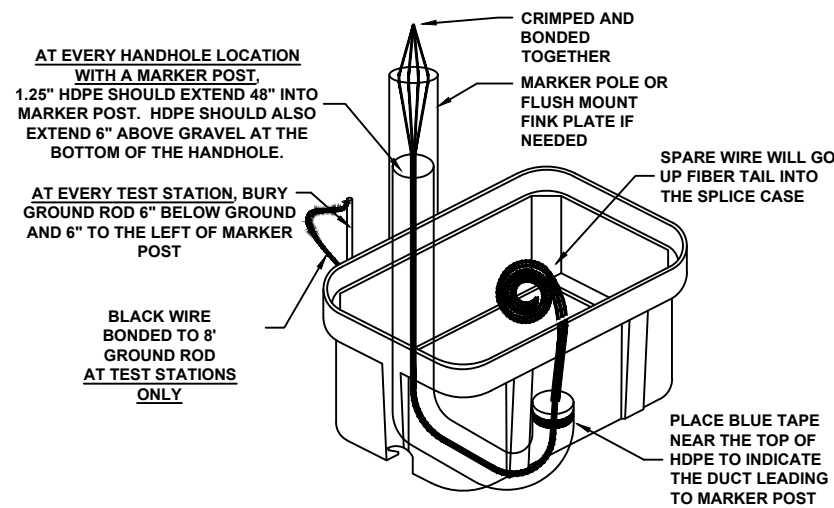


UH-3



ALL CABLE WILL BE PLACED BY METHOD OF DIRECTIONAL BORE @ 42" DOC UNLESS OTHERWISE NOTED.

TYPICAL HAND HOLE INSTALLATION



NOTES:



FILE NAME
CORNERSTON OF MADISON COUNTY
PROJECT CITY
MADISON, MS
FULL FILENAME

DATE	DESCRIPTION
	CONSTRUCTION
SHEET	DRAWN BY
TYPICALS	SQUAN
SCALE	PAGE
NTS	TYPICALS

MATERIAL LIST

ITEM	DESCRIPTION	QUANTITY
1	TRIDENT RTD 1X12	
2	TRIDENT RTD 1X12	
3	TRIDENT RTD 1X12	
4	TRIDENT RTD 1X12	
5	48 CT FOC	
6	48 CT FOC LOOP	
7	72 CT FOC	
8	72 CT FOC LOOP	
9	144 CT FOC	
10	144 CT FOC LOOP	
11	288 CT FOC	
12	288 CT FOC LOOP	
13	432 CT FOC	
14	432 CT FOC LOOP	
15	BDO288P	
16	UH2	
17	UH3	
18	UH4	
19	UH5	
30	1-1.25" SDR11 HDPE	
31	2-1.25" SDR11 HDPE	
32	3-1.25" SDR11 HDPE	
33	4-1.25" SDR11 HDPE	
34	5-1.25" SDR11 HDPE	
35	6-1.25" SDR11 HDPE	
36	TYCO "B" SPLICE CASE	
37	TYCO "D" SPLICE CASE	
38	GROUND ROD	
39	SPLICES	
40	BM53FA	

REVISIONS

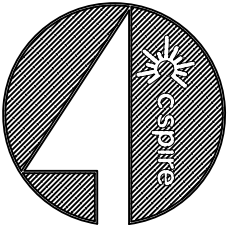
REV.	DESCRIPTION	INITIALS	DATE

PREPARED BY
SQUAN[™]

PREPARED FOR
cspire

MAP NUMBER

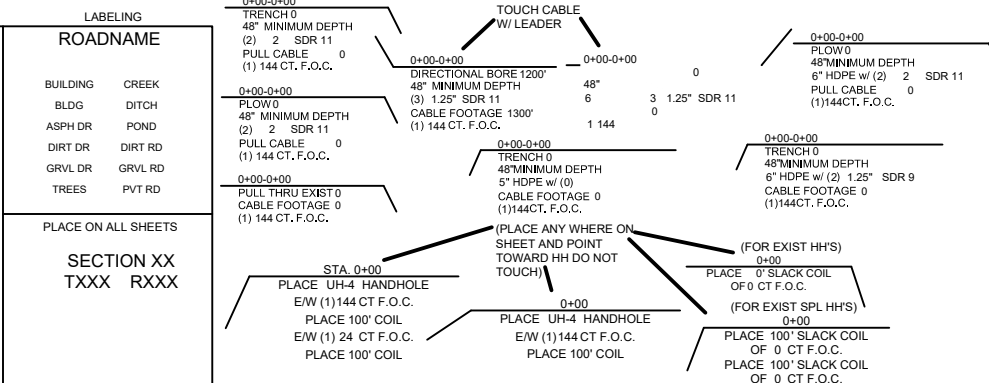
DISCLAIMER
EXCEPT AS MAY BE OTHERWISE PROVIDED BY CONTRACT, THESE DRAWINGS AND SPECIFICATIONS SHALL REMAIN THE PROPERTY OF CSPIRE FIBER, BEING ISSUED IN STRICT CONFIDENCE AND SHALL NOT BE REPRODUCED, COPIED, OR USED FOR ANY PURPOSE WITHOUT SPECIFIC WRITTEN PERMISSION.



RED TEXT IS FOR DESCRIPTION & NOTES ONLY

<p>DIRECTIONAL BORE</p> <p>AERIAL CABLE</p> <p>FLOW TRENCH OR EXISTING DUCT</p> <p>DIRECTIONAL BORE 5" HDPE</p> <p>PVC OR SPLIT PVC CONDUIT</p> <p>ASTMA 139 GRADE B STEEL</p> <p>JACK AND BORE</p> <p>CORE BORE</p> <p>EXISTING TELEPAK CABLE</p> <p>HANDHOLE</p> <p>HANDHOLE (CABLE IN HDPE)</p> <p>HH (CABLE IN PVC CONDUIT)</p> <p>HANDHOLE (CABLE IN GSP CONDUIT)</p> <p>MANHOLE</p> <p>MANHOLE (CABLE IN HDPE)</p> <p>MANHOLE (CABLE IN PVC CONDUIT)</p> <p>MANHOLE (CABLE IN BSP/GSP CONDUIT)</p> <p>H-FRAME</p> <p>BORE PIT</p> <p>LIGHTNING ARRESTOR</p> <p>AC/DC FILTER PROTECTION</p> <p>ALUMINUM HUB STYLE MARKER</p> <p>STEEL MARKER</p> <p>FLAT COMPOSITE MARKER</p> <p>TUBULAR MARKER</p> <p>RIGHT-OF-WAY MARKER NOTE: DASHED = (NOT FOUND IN FIELD)</p> <p>RIGHT-OF-WAY PIN</p> <p>MILE POST MARKER NOTE: DASHED = (NOT FOUND IN FIELD)</p>	<p>ANCHOR ONLY (EXISTING)</p> <p>GUY ONLY (EXISTING)</p> <p>PROP ANCHOR & GUY</p> <p>CABLE CHANGE (BURIED - AERIAL)</p> <p>OVERHEAD GUY (ARROW IN DIRECTION OF PULL)</p> <p>SHRUB</p> <p>SINGLE TREE</p> <p>FOREIGN MKR (RIGHT SIDE)</p> <p>FOREIGN MKR (LEFT SIDE)</p> <p>CAUTION NOTES</p> <p>UTILITY VALVE</p> <p>UTILITY METER</p> <p>GAS VALVE</p> <p>GAS TANKS</p> <p>FIRE HYDRANT</p> <p>UTILITY MANHOLE</p> <p>CULVERT/BOX CULVERT</p> <p>SEWER / STORM DRAIN COMPONENT</p> <p>R.R. CROSSING SIGNAL</p> <p>R.R. SIGNAL ARM</p> <p>CONTROL BOX/R.R. SIGNAL BOX</p> <p>STREET/SIGNAL LIGHT</p> <p>PARKING METER</p> <p>STEELWOOD POST</p> <p>SIGN</p> <p>REPEATER</p> <p>TELEPHONE/CATV PED</p> <p>PROPOSED GROUND WIRE</p> <p>BOND AND GROUND</p>	<p>ANCHOR AND GUY WHOLLY OWNED BY ANOTHER COMPANY</p> <p>SIDEWALK ANCHOR & GUY</p> <p>PROPOSED SIDEWALK ANC & GUY</p> <p>CAUTION (GAS XING)</p> <p>CAUTION (WATER XING)</p> <p>CAUTION GAS LINES TEXAS EASTERN PIPE LINES 1-801-375-864 1-800-530-1050</p> <p>BMS3F</p> <p>BMS3F(A)</p> <p>AT&T MKR</p> <p>30'-5-84</p> <p>30'-5-84</p>	<p>HIGHWAY SIGN</p> <p>LCP CABINET</p> <p>ROAD MARKINGS</p> <p>BGN BUILDING, END BUILDING ROTATE LABEL WITH BUILDING</p> <p>(GAS CAUTION NOTE)</p> <p>(100' TICKS MARKS)</p> <p>BACK SPAN</p> <p>MARKER (BMS3F(A) FOR SPLICES)</p> <p>GPS (ON ALL HH'S)</p> <p>CELL SITE</p>	<p>(STATION) (USE ON RIGHT SIDE OF CABLE) (ROTATE PERPENDICULAR TO CUT BOX)</p> <p>(STATION) (USE ON LEFT SIDE OF CABLE) (ROTATE PERPENDICULAR TO CUTBOX)</p> <p>DEPTH OF COVER (ROTATE PERPENDICULAR TO CABLE)</p> <p>SPLICE DETAIL (PLACE ON ALL SHEETS CONTAINING A SPLICE AND CHANGE CABLE DIRECTIONS AND COILS TO MATCH)</p> <p>HH AND SPL HH NOTE TEXT (USE THIS TEXT FOR HH INFO FROM CSPIRE)</p> <p>USE FOR PERMIT INFORMATION</p> <p>SPlice STATION XX+XX</p> <p>XXX+XX</p> <p>SRMC-1</p> <p>PL UH-4</p> <p>100' SLACK LOOP</p> <p>DOT STA #XXX+XX</p> <p>P.T.F.</p> <p>SPlice STATION XX+XX</p>	<p>TAX DISTRICT BOUNDARY/ SECTION LABEL</p> <p>SEC XX TXXX RXXX</p> <p>SEC XX TXXN RXXX</p> <p>CITY, COUNTY OR STATE BOUNDARY LINE</p> <p>PROPERTY LINE</p> <p>EDGE OF PAVEMENT</p> <p>BACK OF CURB</p> <p>WHITE LINE</p> <p>RIGHT-OF-WAY LINE</p> <p>CENTERLINE</p> <p>EDGE OF ROAD - UNPAVED</p> <p>GAURD RAIL</p> <p>RETAINING WALL</p> <p>BRIDGE</p> <p>WATER LINE</p> <p>SANSEWER</p> <p>STORMDRAIN</p> <p>GAS LINE</p> <p>FIBER OPTIC LINE</p> <p>OH TELEPHONE</p> <p>BURIED TELEPHONE</p> <p>OH CATV</p> <p>BURIED CATV</p> <p>RAILROAD TRACK</p> <p>AUXILIARY TRACK</p> <p>TREE LINE OR GROUP OF TREES</p> <p>NATURAL WATER SOURCES</p> <p>DITCH LINE</p> <p>TOP OF SLOPE</p> <p>OH POWER</p> <p>BURIED POWER</p> <p>FENCE</p> <p>UTILITY EASEMENT</p> <p>CROP FIELD LABEL</p> <p>AGRI FIELD</p>
---	--	---	--	---	--

ABBREVIATIONS		LABELING	
SPL	SPLICE	BLDG	BUILDING
HH	HANDHOLE	CL	CENTER LINE
GRVL	GRAVEL	C/L CULVERT	CENTER LINE CULVERT
DR	DRIVE	C/L GRVL DR	CENTER OF GRAVEL DRIVE
ASPH	ASPHALT	C/L ASPH DR	CENTER OF ASPHALT DRIVE
EXIST	EXISTING	C/L DIRT DR	CENTER OF DIRT DRIVE
PWR	POWER ATTACHMENT	PWR OHG	POWER OVERHEAD GUY
TRI	TRIPLEX	CATV OHG	CATV OVERHEAD GUY
COMM	COMMUNICATIONS ATTACHMENT	CAP BANK	CAPACITOR BANK
CATV	CATV ATTACHMENT	CLTCKT	FIRE ALARM CIRCUIT
SL	STREET LIGHT	PWR DIP	POWER DIP
TSIG	TRAFFIC SIGNAL	COMM DIP	COMMUNICATIONS DIP
MDW	MULTI DROP WIRE	CATV DIP	CATV DIP
COMM OHG	COMMUNICATIONS OVERHEAD GUY	TEOP	TRAFFIC LIGHT
FL	FLOOD LIGHT	TEGY	TRAFFIC GUY
WH	WEATHER HEAD	MS	MIDSPAN
TRAN	TRANSFORMER	OHG	OVERHEAD GUY
TELEPAK	TELEPAK ATTACHMENT	TOP	TOP OF POLE
SEC	SECONDARY POWER	NEU	NEUTRAL



LINE TYPES

CONDUIT	CONDUIT	CONDUIT	CONDUIT
24 PAIR FIBER	24 ct		
48 PAIR FIBER	48 ct		
96 PAIR FIBER	96 ct		
144 PAIR FIBER	144 ct		
288 PAIR FIBER	288 ct		
DA BOUNDRY LINE			

FILE NAME
CORNERSTON OF MADISON COUNTY

PROJECT CITY
MADISON, MS

FULL FILENAME

DATE	CONSTRUCTION
SHEET	DRAWN BY
LEGEND	SQUAN
SCALE	PAGE
NTS	LEGEND

MATERIAL LIST

ITEM	DESCRIPTION	QUANTITY
1	TRIDENT RTD 1X12	
2	TRIDENT RTD 1X12	
3	TRIDENT RTD 1X12	
4	TRIDENT RTD 1X12	
5	48 CT FOC	
6	48 CT FOC LOOP	
7	72 CT FOC	
8	72 CT FOC LOOP	
9	144 CT FOC	
10	144 CT FOC LOOP	
11	288 CT FOC	
12	288 CT FOC LOOP	
13	432 CT FOC	
14	432 CT FOC LOOP	
15	BDO288P	
16	UH2	
17	UH3	
18	UH4	
19	UH5	
30	1-1.25" SDR11 HDPE	
31	2-1.25" SDR11 HDPE	
32	3-1.25" SDR11 HDPE	
33	4-1.25" SDR11 HDPE	
34	5-1.25" SDR11 HDPE	
35	6-1.25" SDR11 HDPE	
36	TYCO "B" SPLICE CASE	
37	TYCO "D" SPLICE CASE	
38	GROUND ROD	
39	SPLICES	
40	BM53FA	

REVISIONS

REV.	DESCRIPTION	INITIALS	DATE

PREPARED BY

PREPARED FOR

MAP NUMBER

--	--	--

DISCLAIMER

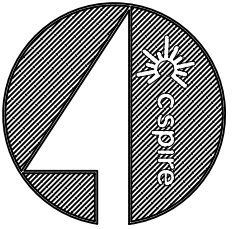
EXCEPT AS MAY BE OTHERWISE PROVIDED BY CONTRACT, THESE DRAWINGS AND SPECIFICATIONS SHALL REMAIN THE PROPERTY OF CSPIRE FIBER, BEING ISSUED IN STRICT CONFIDENCE AND SHALL NOT BE REPRODUCED, COPIED, OR USED FOR ANY PURPOSE WITHOUT SPECIFIC WRITTEN PERMISSION.

ALL CABLE WILL BE PLACED BY METHOD OF DIRECTIONAL BORE @ 42" DOC UNLESS OTHERWISE NOTED.

NOTIFY ALL UTILITIES 72 HOURS PRIOR TO CONSTRUCTION ACTIVITY.
ONE CALL SYSTEM @ 1-800-227-6477

CITY OF MADISON

MADISON COUNTY, MISSISSIPPI



FILE NAME
CORNERSTON OF MADISON COUNTY
PROJECT CITY
MADISON, MS
FULL FILENAME

DATE	DESCRIPTION
	CONSTRUCTION
SHEET	DRAWN BY
001	SQUAN
SCALE	PAGE
1"=50'	

MATERIALS LIST

ITEM	DESCRIPTION	QTY.
1	TRIDENT RTD 1X12	100
2	TRIDENT RTD 1X12	
3	TRIDENT RTD 1X12	
4	12 CT FOC	
5	12 CT FOC LOOP	
6	24 CT FOC	
7	24 CT FOC LOOP	
8	48 CT FOC	354
9	48 CT FOC LOOP	300
10	72 CT FOC	
11	72 CT FOC LOOP	
12	144 CT FOC	
13	144 CT FOC LOOP	50
14	288 CT FOC	
15	288 CT FOC LOOP	
16	BDO144P LCP	1
17	144 LCP PAD	
18	UH2	2
19	UH3	1
20	UH4	
21	UH5	1
22	1-1.25" SDR11 HDPE	
23	2-1.25" SDR11 HDPE	440
24	3-1.25" SDR11 HDPE	149
25	4-1.25" SDR11 HDPE	
26	TYCO "B" SPLICE CASE	1
27	TYCO "D" SPLICE CASE	2
28	GROUND ROD	3
29	SPLICES	252
30	BM53FA	2

REVISIONS

REV.	DESCRIPTION	INITIALS	DATE
1			
2			

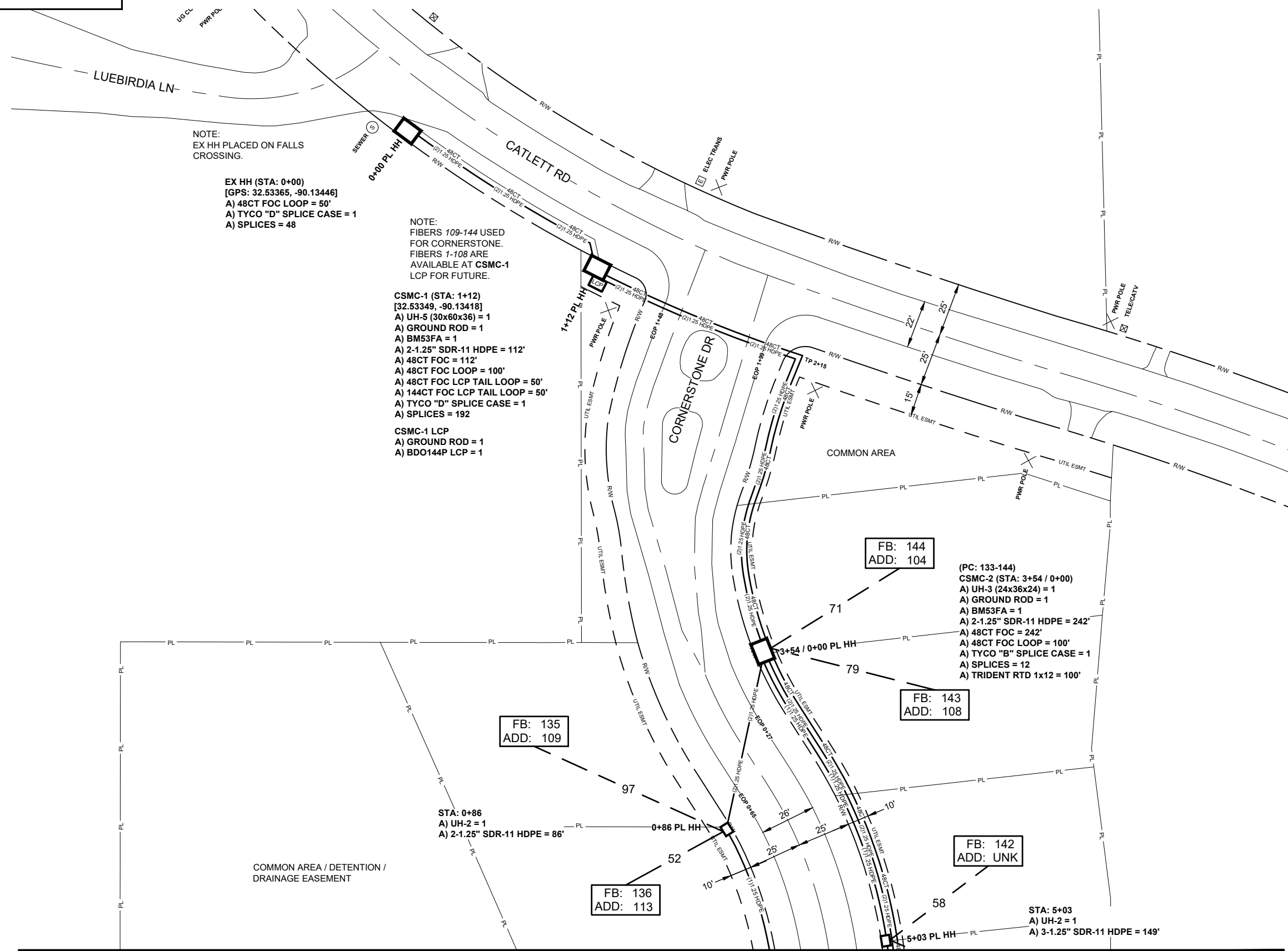
PREPARED BY
SQUAN
PREPARED FOR
cspire

MAP NUMBER

2

DISCLAIMER

EXCEPT AS MAY BE OTHERWISE PROVIDED BY CONTRACT, THESE DRAWINGS AND SPECIFICATIONS SHALL REMAIN THE PROPERTY OF CSPIRE FIBER. BEING ISSUED IN STRICT CONFIDENCE AND SHALL NOT BE REPRODUCED, COPIED, OR USED FOR ANY PURPOSE WITHOUT SPECIFIC WRITTEN PERMISSION.



NOTE:
EX HH PLACED ON FALLS CROSSING.

EX HH (STA: 0+00)
[GPS: 32.53365, -90.13446]
A) 48CT FOC LOOP = 50'
A) TYCO "D" SPLICE CASE = 1
A) SPLICES = 48

NOTE:
FIBERS 109-144 USED FOR CORNERSTONE. FIBERS 1-108 ARE AVAILABLE AT CSMC-1 LCP FOR FUTURE.

CSMC-1 (STA: 1+12)
[32.53349, -90.13418]
A) UH-5 (30x60x36) = 1
A) GROUND ROD = 1
A) BM53FA = 1
A) 2-1.25" SDR-11 HDPE = 112'
A) 48CT FOC = 112'
A) 48CT FOC LOOP = 100'
A) 48CT FOC LCP TAIL LOOP = 50'
A) 144CT FOC LCP TAIL LOOP = 50'
A) TYCO "D" SPLICE CASE = 1
A) SPLICES = 192
CSMC-1 LCP
A) GROUND ROD = 1
A) BDO144P LCP = 1

(PC: 133-144)
CSMC-2 (STA: 3+54 / 0+00)
A) UH-3 (24x36x24) = 1
A) GROUND ROD = 1
A) BM53FA = 1
A) 2-1.25" SDR-11 HDPE = 242'
A) 48CT FOC = 242'
A) 48CT FOC LOOP = 100'
A) TYCO "B" SPLICE CASE = 1
A) SPLICES = 12
A) TRIDENT RTD 1x12 = 100'

FB: 135
ADD: 109

FB: 144
ADD: 104

FB: 143
ADD: 108

FB: 142
ADD: UNK

FB: 136
ADD: 113

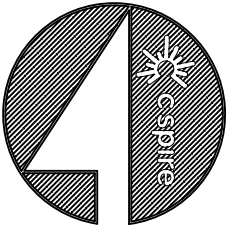
STA: 0+86
A) UH-2 = 1
A) 2-1.25" SDR-11 HDPE = 86'

STA: 5+03
A) UH-2 = 1
A) 3-1.25" SDR-11 HDPE = 149'

SEE SHEET 2

ALL CABLE WILL BE PLACED BY METHOD OF DIRECTIONAL BORE MIN 2' OFF ROW OR EASEMENT @ 42" DOC UNLESS OTHERWISE NOTED.

NOTIFY ALL UTILITIES 72 HOURS PRIOR TO CONSTRUCTION ACTIVITY.
ONE CALL SYSTEM @ 1-800-227-6477



FILE NAME
CORNERSTON OF MADISON COUNTY
PROJECT CITY
MADISON, MS
FULL FILENAME

DATE	CONSTRUCTION
SHEET 002	DRAWN BY SQUAN
SCALE 1"=50'	PAGE

MATERIALS LIST

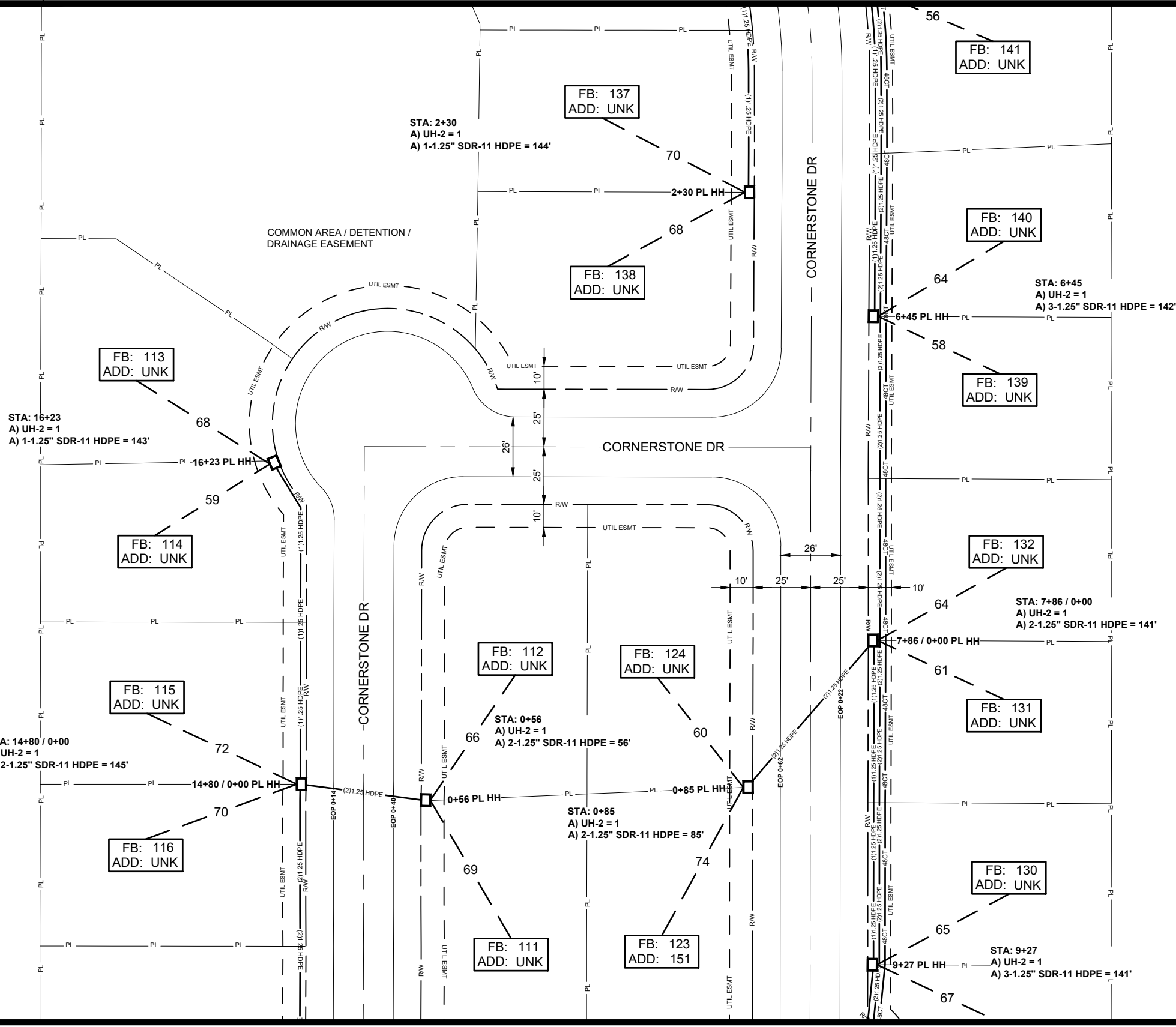
ITEM	DESCRIPTION	QTY.
1	TRIDENT RTD 1X12	
2	TRIDENT RTD 1X12	
3	TRIDENT RTD 1X12	
4	12 CT FOC	
5	12 CT FOC LOOP	
6	24 CT FOC	
7	24 CT FOC LOOP	
8	48 CT FOC	
9	48 CT FOC LOOP	
10	72 CT FOC	
11	72 CT FOC LOOP	
12	96 CT FOC	
13	96 CT FOC LOOP	
14	288 CT FOC	
15	288 CT FOC LOOP	
16	BDO576P LCP	
17	576 LCP PAD	
18	UH2	8
19	UH3	
20	UH4	
21	UH5	
22	1-1.25" SDR11 HDPE	287
23	2-1.25" SDR11 HDPE	427
24	3-1.25" SDR11 HDPE	283
25	4-1.25" SDR11 HDPE	
26	TYCO "B" SPLICE CASE	
27	TYCO "D" SPLICE CASE	
28	GROUND ROD	
29	SPLICES	
30	BM53FA	

REVISIONS			
REV.	DESCRIPTION	INITIALS	DATE
1			
2			

PREPARED BY
SQUAN
PREPARED FOR
cspire

MAP NUMBER		
1		
2		
3		

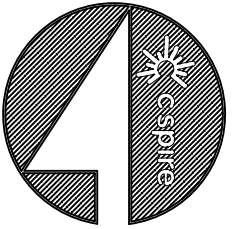
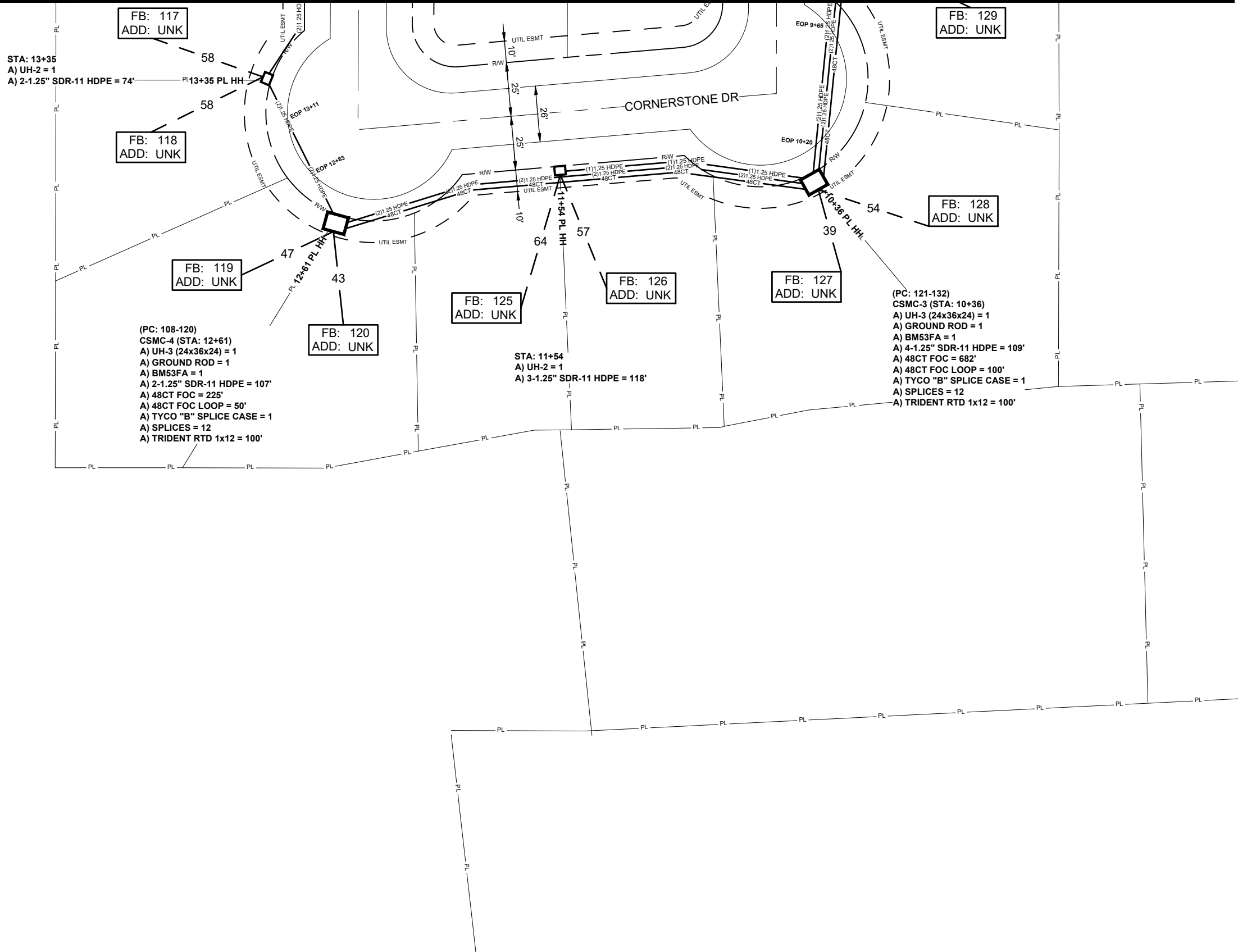
DISCLAIMER
EXCEPT AS MAY BE OTHERWISE PROVIDED BY CONTRACT, THESE DRAWINGS AND SPECIFICATIONS SHALL REMAIN THE PROPERTY OF CSPIRE FIBER. BEING ISSUED IN STRICT CONFIDENCE AND SHALL NOT BE REPRODUCED, COPIED, OR USED FOR ANY PURPOSE WITHOUT SPECIFIC WRITTEN PERMISSION.



ALL CABLE WILL BE PLACED BY METHOD OF DIRECTIONAL BORE MIN 2' OFF ROW OR EASEMENT @ 42" DOC UNLESS OTHERWISE NOTED.

NOTIFY ALL UTILITIES 72 HOURS PRIOR TO CONSTRUCTION ACTIVITY.
ONE CALL SYSTEM @ 1-800-227-6477

SEE SHEET 2



FILE NAME
CORNERSTON OF MADISON COUNTY
PROJECT CITY
MADISON, MS
FULL FILENAME

DATE	CONSTRUCTION
SHEET 003	DRAWN BY SQUAN
SCALE 1"=50'	PAGE

MATERIALS LIST

ITEM	DESCRIPTION	QTY.
1	TRIDENT RTD 1X12	100
2	TRIDENT RTD 1X12	100
3	TRIDENT RTD 1X12	
4	12 CT FOC	
5	12 CT FOC LOOP	
6	24 CT FOC	
7	24 CT FOC LOOP	
8	48 CT FOC	907
9	48 CT FOC LOOP	150
10	72 CT FOC	
11	72 CT FOC LOOP	
12	96 CT FOC	
13	96 CT FOC LOOP	
14	288 CT FOC	
15	288 CT FOC LOOP	
16	BDO576P LCP	
17	576 LCP PAD	
18	UH2	2
19	UH3	2
20	UH4	
21	UH5	
22	1-1.25" SDR11 HDPE	
23	2-1.25" SDR11 HDPE	181
24	3-1.25" SDR11 HDPE	118
25	4-1.25" SDR11 HDPE	109
26	TYCO "B" SPLICE CASE	2
27	TYCO "D" SPLICE CASE	
28	GROUND ROD	2
29	SPLICES	24
30	BM53FA	2

REVISIONS

REV.	DESCRIPTION	INITIALS	DATE
1			
2			

PREPARED BY
SQUAN
PREPARED FOR
cspire

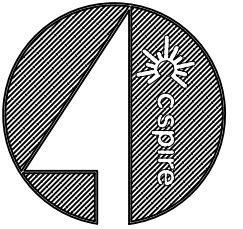
MAP NUMBER

2
3
4

DISCLAIMER
EXCEPT AS MAY BE OTHERWISE PROVIDED BY CONTRACT, THESE DRAWINGS AND SPECIFICATIONS SHALL REMAIN THE PROPERTY OF CSPIRE FIBER. BEING ISSUED IN STRICT CONFIDENCE AND SHALL NOT BE REPRODUCED, COPIED, OR USED FOR ANY PURPOSE WITHOUT SPECIFIC WRITTEN PERMISSION.

ALL CABLE WILL BE PLACED BY METHOD OF DIRECTIONAL BORE MIN 2' OFF ROW OR EASEMENT @ 42" DOC UNLESS OTHERWISE NOTED.

NOTIFY ALL UTILITIES 72 HOURS PRIOR TO CONSTRUCTION ACTIVITY.
ONE CALL SYSTEM @ 1-800-227-6477



FILE NAME
CORNERSTONE OF MADISON COUNTY
PROJECT CITY
MADISON, MS
FULL FILENAME

DATE	DESCRIPTION
	CONSTRUCTION
SHEET	DRAWN BY
SCHEMATIC 1	SQUAN
SCALE	PAGE
1"=50'	

MATERIALS LIST

ITEM	DESCRIPTION	QTY.
1	TRIDENT RTD 1X12	
2	TRIDENT RTD 1X12	
3	TRIDENT RTD 1X12	
4	12 CT FOC	
5	12 CT FOC LOOP	
6	24 CT FOC	
7	24 CT FOC LOOP	
8	48 CT FOC	
9	48 CT FOC LOOP	
10	72 CT FOC	
11	72 CT FOC LOOP	
12	96 CT FOC	
13	96 CT FOC LOOP	
14	288 CT FOC	
15	288 CT FOC LOOP	
16	BDO576P LCP	
17	576 LCP PAD	
18	UH2	
19	UH3	
20	UH4	
21	UH5	
22	1-1.25" SDR11 HDPE	
23	2-1.25" SDR11 HDPE	
24	3-1.25" SDR11 HDPE	
25	4-1.25" SDR11 HDPE	
26	TYCO "B" SPLICE CASE	
27	TYCO "D" SPLICE CASE	
28	GROUND ROD	
29	SPLICES	
30	BM53FA	

REVISIONS

REV.	DESCRIPTION	INITIALS	DATE
1			
2			

PREPARED BY



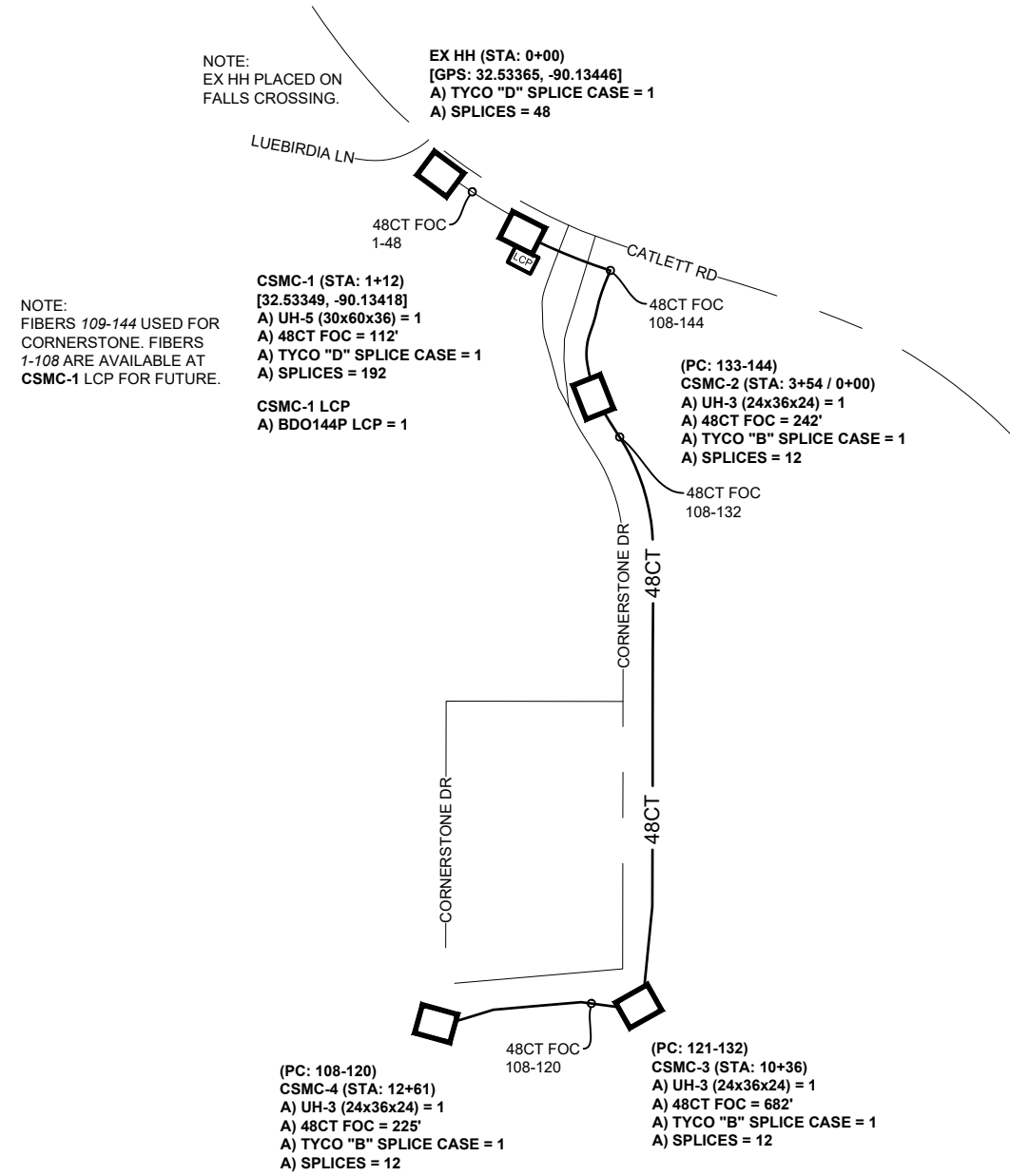
PREPARED FOR



MAP NUMBER

DISCLAIMER

EXCEPT AS MAY BE OTHERWISE PROVIDED BY CONTRACT, THESE DRAWINGS AND SPECIFICATIONS SHALL REMAIN THE PROPERTY OF CSPIRE FIBER. BEING ISSUED IN STRICT CONFIDENCE AND SHALL NOT BE REPRODUCED, COPIED, OR USED FOR ANY PURPOSE WITHOUT SPECIFIC WRITTEN PERMISSION.



ALL CABLE WILL BE PLACED BY METHOD OF DIRECTIONAL BORE MIN 2' OFF ROW OR EASEMENT @ 42" DOC UNLESS OTHERWISE NOTED.

NOTIFY ALL UTILITIES 72 HOURS PRIOR TO CONSTRUCTION ACTIVITY.
ONE CALL SYSTEM @ 1-800-227-6477